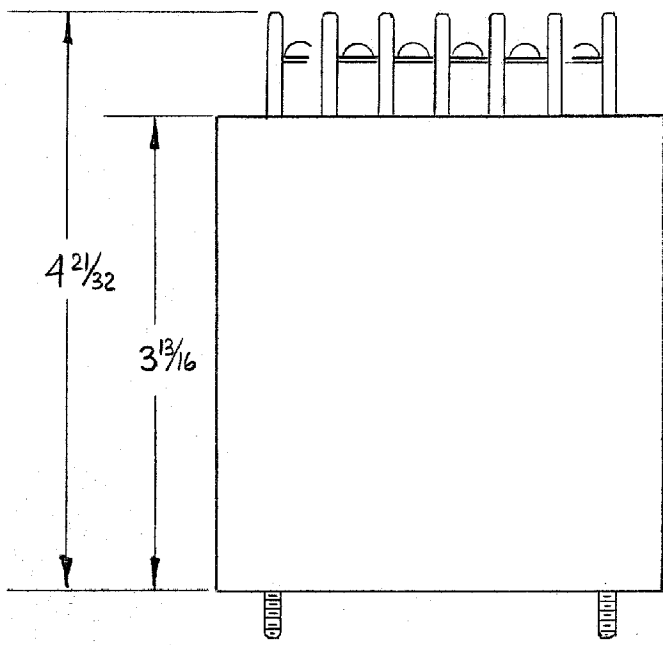
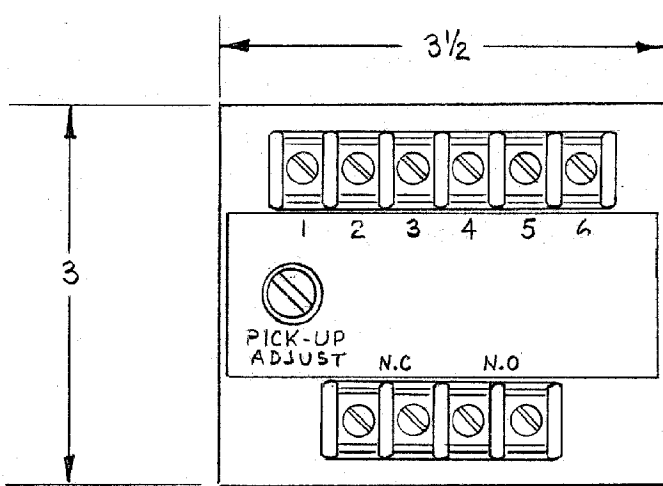
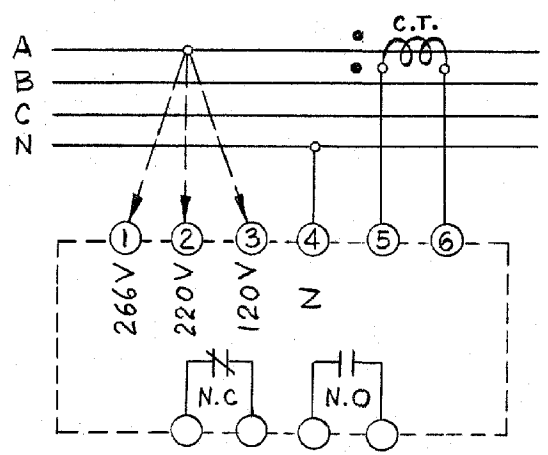


REVISIONS			
ZONE	LTR	DESCRIPTION	DATE

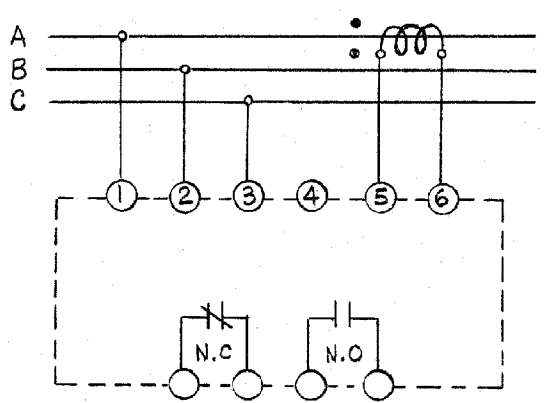


CONNECTIONS

A. MODEL 710 (OR MODEL 710X)
THIS MODEL IS DESIGNED FOR 120V, 220V OR 266V LINE TO NEUTRAL CONNECTION.



B. MODELS 720(X) THRU 724 (X)
FOR USE WITH THREE PHASE THREE WIRE SYSTEMS.



SPECIFICATIONS

LINE VOLTAGE:
A. THE MODEL 710 (X) IS DESIGNED FOR 120V, 220V OR 266V LINE TO NEUTRAL SENSING.
B. THE TABLE BELOW PROVIDES A LIST OF AVAILABLE MODELS FOR THREE PHASE SENSING.

LINE FREQUENCY: 50 - 500 HZ.
CURRENT REQUIREMENTS: 0 TO 5 AMP. MAX., DIRECT OR FROM C.T.

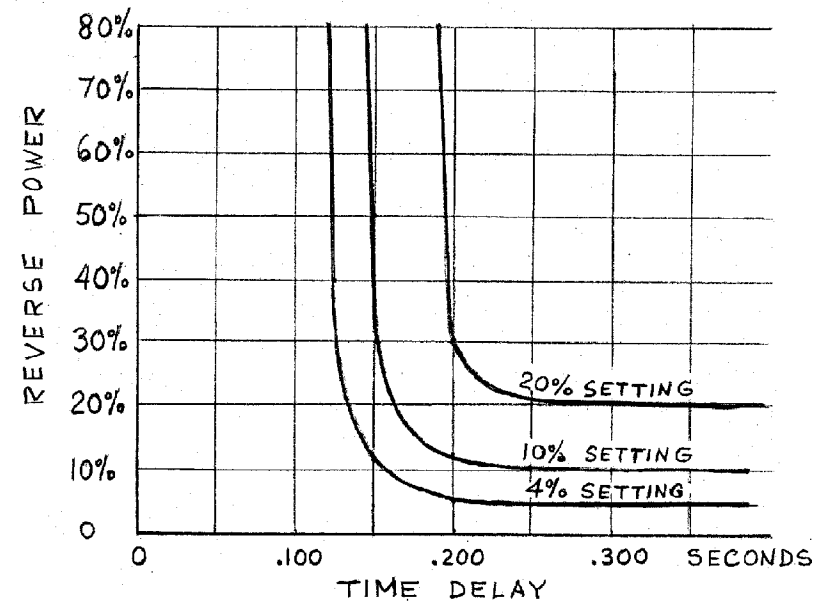
OPERATION: THE SELF CONTAINED OUTPUT RELAY ACTUATES WHEN REVERSE POWER FLOW EXCEEDS THE PRE-SET VALUE.

TRIP ADJUSTMENT: SCREWDRIVER ADJUSTABLE 4% TO 20% (OF THE 5 AMP. RESISTIVE RATING).

OUTPUT CONTACTS: ONE SET N.C., ONE SET N.O.
CONTACT RATING: 5 AMP RESISTIVE AT 120VAC OR 28VDC.
POWER CONSUMPTION:
VOLTAGE CIRCUIT: 2VA MAX.
CURRENT CIRCUIT: 4VA MAX.

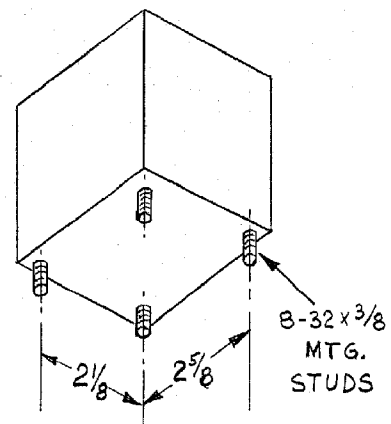
CONSTRUCTION: SOLID STATE SENSOR WITH RELAY OUTPUT ENCLOSED IN A SEALED STEEL CAN.

NOTE: CLOCKWISE ROTATION OF THE PICK-UP ADJUSTMENT WILL RAISE THE REVERSE POWER TRIP POINT. REMOVE SCREW FOR ACCESS TO THE PICK-UP ADJUSTMENT.

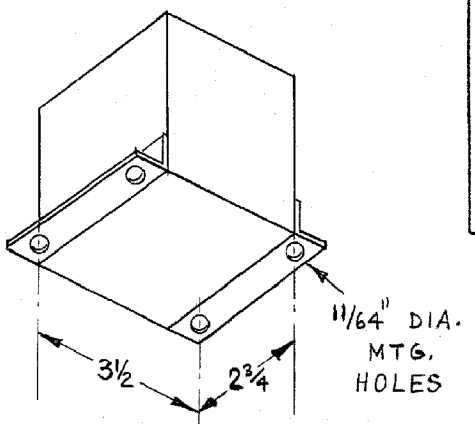


MODEL	INPUT VOLTAGE, 3φ
720 (X)	120 VOLTS, L-L
721 (X)	230 VOLTS, L-L
722 (X)	380 VOLTS, L-L
723 (X)	460 VOLTS, L-L
724 (X)	575 VOLTS, L-L

MOUNTING CONFIGURATIONS



STUD MOUNTING
MODEL 710
MODELS 720 THRU 724



BRACKET MOUNTING (SUFFIX "X")
MODEL 710 X
MODELS 720 X THRU 724 X

QTY REQD	SYM	DESCRIPTION	CODE IDENT NO.	PART NO.	SPEC	MATERIAL OR NOTE	ITEM NO.

UNLESS OTHERWISE SPECIFIED DIMENSIONS ARE IN INCHES

TOLERANCES ON FRACTIONS DECIMALS ANGLES
± 1/32 ± .010 ± 1/2°

BREAK ALL SHARP EDGES .015 MAX. AND DEBURR

MATERIAL:

CONTRACT NO.	DESCRIPTION	CODE IDENT NO.	PART NO.	SPEC	MATERIAL OR NOTE	ITEM NO.

LIST OF MATERIAL

WILMAR ELECTRONICS, INC. TORRANCE, CALIFORNIA

TITLE: **REVERSE POWER RELAY**
710 AND 720 SERIES

SIZE: C CODE IDENT NO.: 25248 DWG NO.: 21-313

SCALE: WEIGHT: SHEET:

APPLICATION	NEXT ASSY	USED ON